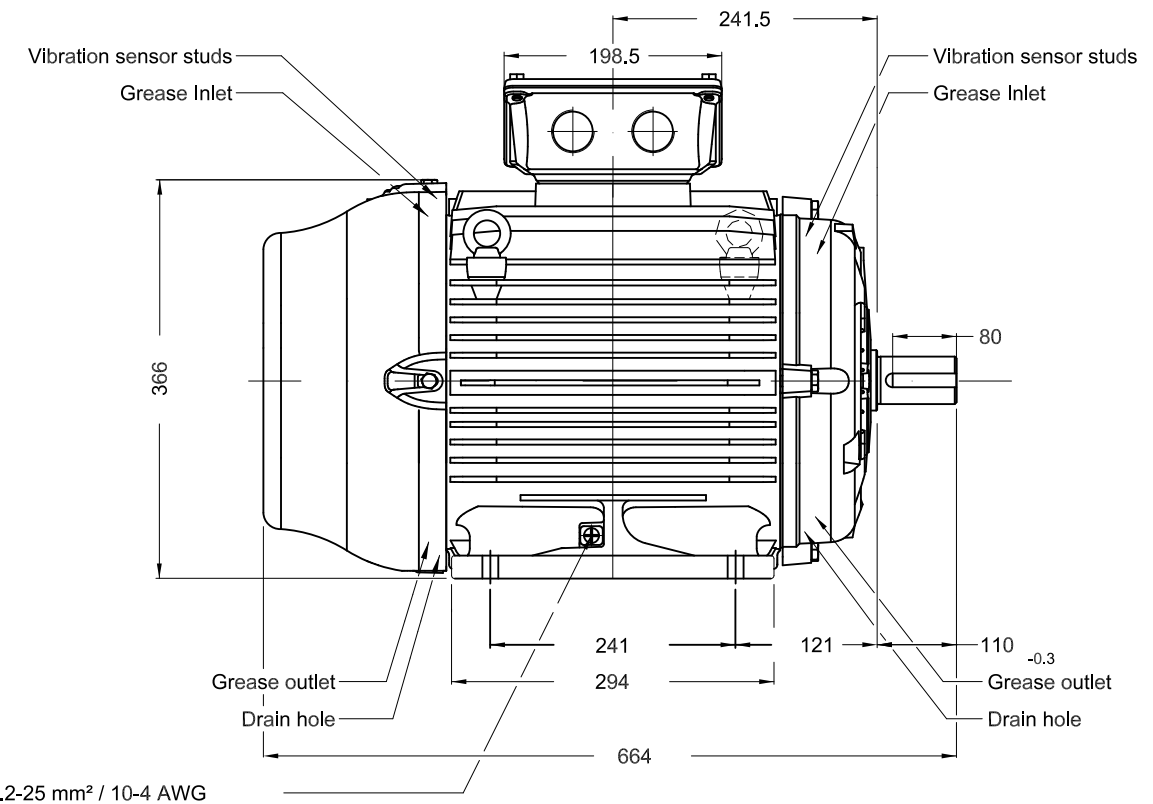
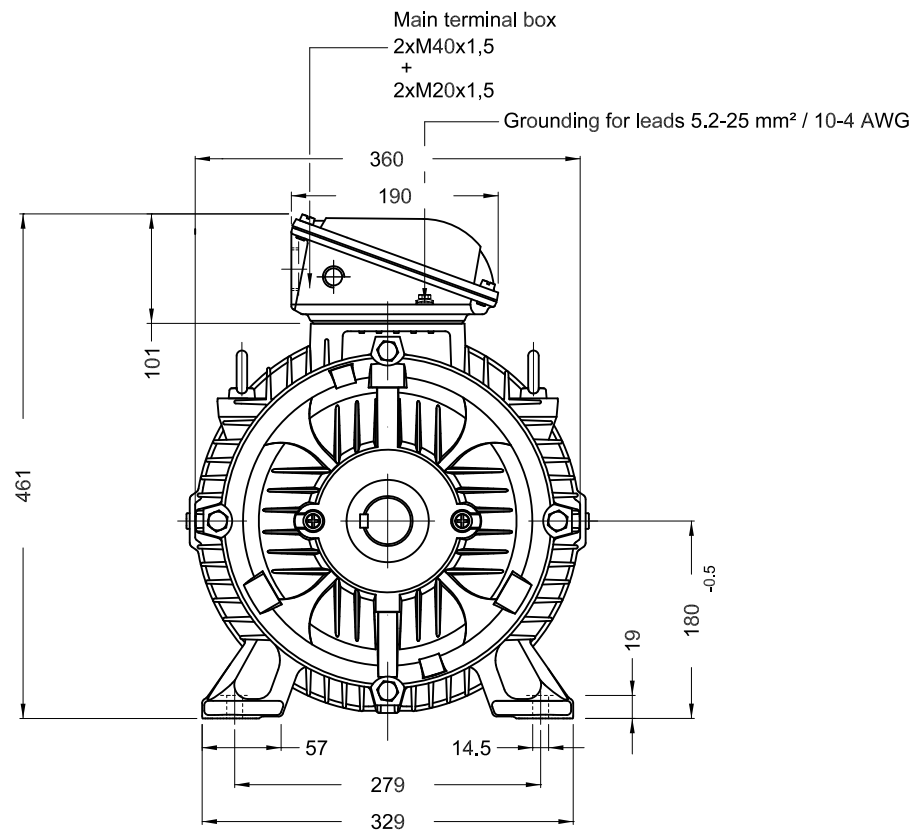


1 2 3 4 5 6

A



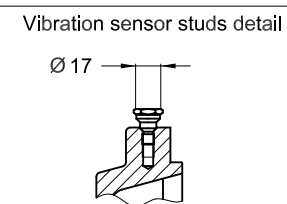
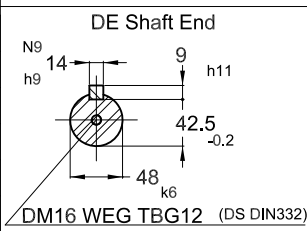
Grounding for leads 5.2-25 mm² / 10-4 AWG

D

18.5 kW 04 Poles 50 Hz A

QUANTUM CONTROLS

Space heaters 110-127 V / 200-240 V
With grease fitting
SPM studs
Color RAL 5009
Painting plan 202P
Mounting B3T



ECM	LOC	SUMMARY OF MODIFICATIONS				EXECUTED	CHECKED	RELEASED	DATE	VER
EXECUTED	PIRWBUSER		THREE PH. MOTOR W22 IE3				<p>PREVIEW</p> <p>WDD</p>		SHEET	1 / 1
CHECKED			FRAME 180M IP55 TEFC							
RELEASED										
REL DT.		WMO	Jaragua do Sul	Product Engineering						

Dimensions in mm

XME A3